


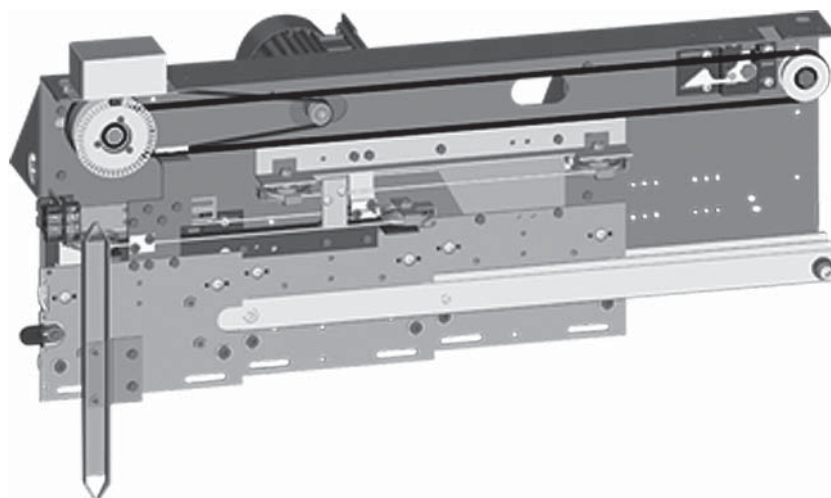
3 panels car doors Side opening :

LASER 3P TO Type

NEW / RENOVATION + + +  

Associated Landing Doors :

LASER  RHEA
SWING DOOR



Main characteristics :

- Setting of opening and closing speeds by the piloting ARIANE 2 card
- Automatic travel learning
- Réopening adjustable differently in case of shock on the body or on fingers binding.
- Adjustable speed following people carried
- Easy fitting
- Fixed cam for swinging door lock releasing when driving swinging door
- Plought aluminium sill to allow the lock lever going through



On request :

- Brushed or engraved massive stainless steel
- Stainless steel sill
- Glazing conform to standards in force
- Fitting on existing lifts, ...

DIMENSIONS

Clear opening	Driver dimensions	Panels dimensions
600	805	255
650	855	255
700	955	255
750	1040	275
800	1090	290
850	1175	305
900	1225	325
950	1305	340
1000	1355	355
1050	1440	375
1100	1490	390

