

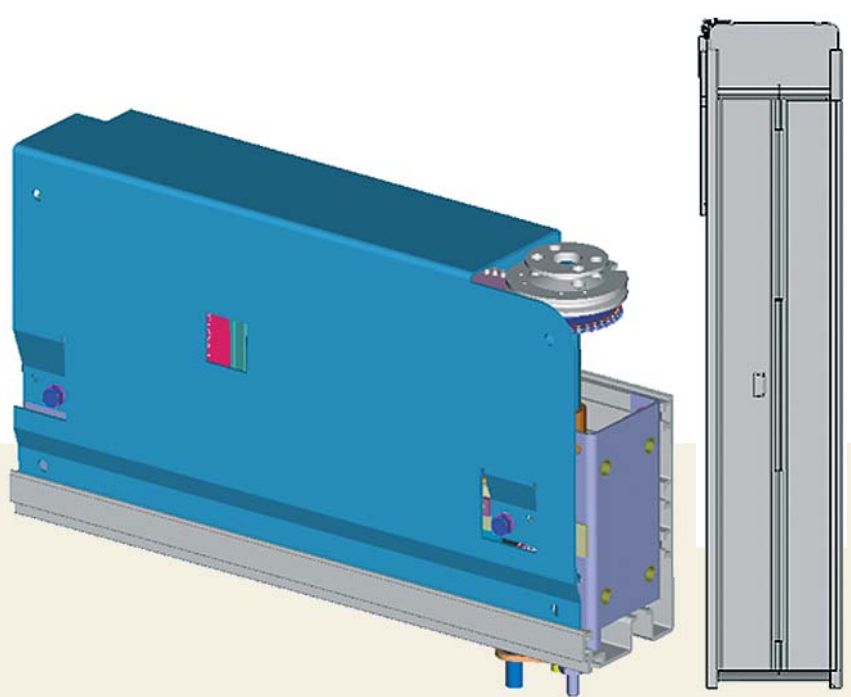
2 panels folding car door :

MINIPLYCAB Type

RENOVATION + + + 

Associated Landing Doors :

MINIPLYCAB
 └─ SWING DOOR
 └─ PYL 93



Main characteristics :

- Small dimensions
- Flat panels in closed position
- Easy fitting and few settings
- Massive engraved stainless steel spacers

On request :

- Brushed stainless steel massive spacers
- Glazing on all height in conformity with the standards to a total width of 550 mm
- Glazed spacers with an aluminium frame that can be anodised or polished...

DIMENSIONS



Total width before fixing	Remaining clear opening (*)
470	442
480	452
490	462
500	472
510	482
520	492
530	502
540	512
550	522

(*) in standard execution, panels not glazed

-  Residential
-  Social Soft
-  Social Hard
-  Heavy Duty
-  Home-Lift
-  Intensive Traffic