

Company : \_\_\_\_\_  
 Order n° : \_\_\_\_\_  
 Reference : \_\_\_\_\_  
 Delivery address : \_\_\_\_\_

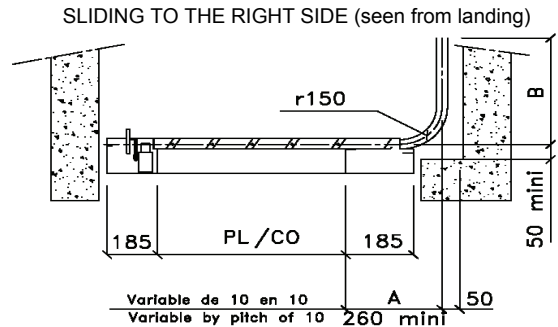
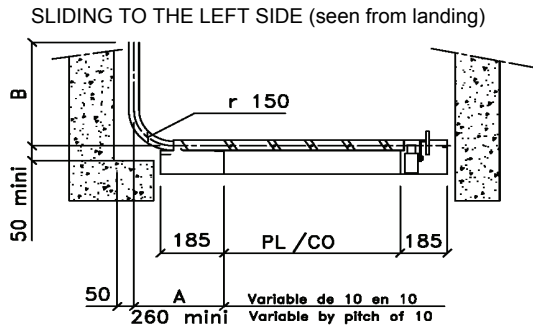
**Delivery time wished**

**ORDER**

**QUOTATION**

**MULTIPANEL LANDING DOOR**

**PAC 81** 



Qty : \_\_\_\_\_ CO : \_\_\_\_\_ x CH : \_\_\_\_\_ Qty : \_\_\_\_\_ CO : \_\_\_\_\_ x CH : \_\_\_\_\_

**A dimension :** \_\_\_\_\_ **C dimension :** \_\_\_\_\_ **A dimension :** \_\_\_\_\_ **C dimension :** \_\_\_\_\_

- | Every doors are with total sliding, without glass vision panel
- | Equipped with KRONENBERG DLF1 lock with sensor contact
- | Mobile part average weight : 37 daN/m<sup>2</sup>
- | Minimum A dimension: 260 - Pitch by 10 to 10
- | C dimension ≥ 50
- | Calculation of B dimension : see drawing E 957

**MANUAL DOOR**  **AUTOMATIC DOOR with VVVF controller (\*)**

- IP 54 Option(\*)
- Anti-explosion proof : Ask us(\*)

- SMOOTH WALL**
- With steel sheet
- Concrete
- Toe guards (\*)

**PUSH BUTTON CUT OUT**

- Without cut out  48 x 110 cut out  Spc cut out l : \_\_\_\_\_ x h : \_\_\_\_\_ (\*)
- With push button box (\*)

Call + Present (48 x 110 cut out) (\*)

**MISCELLANEOUS**

- Release key - Quantity : \_\_\_\_\_ (\*)
- Fixing squares for track or sill on sliding side (if C dimension > 50) (\*)

**MISCELLANEOUS**

**Add th quotation to the order**

(\*)With additional price and delay